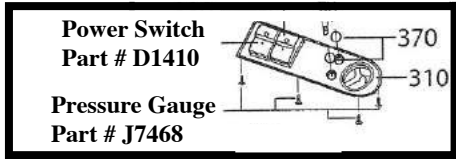
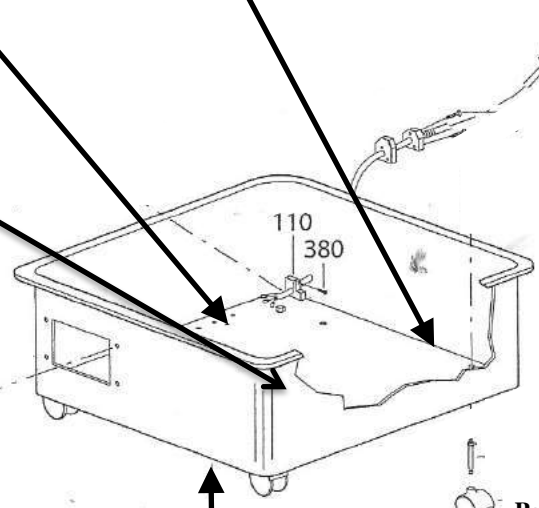
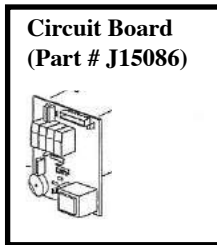
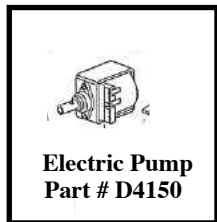
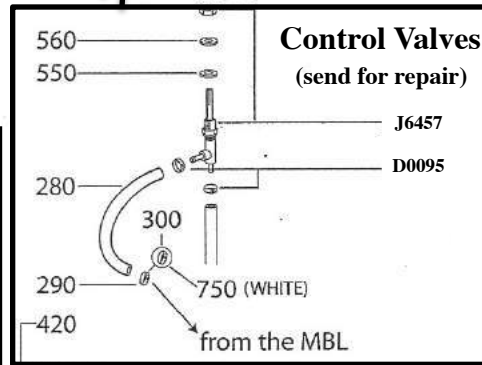
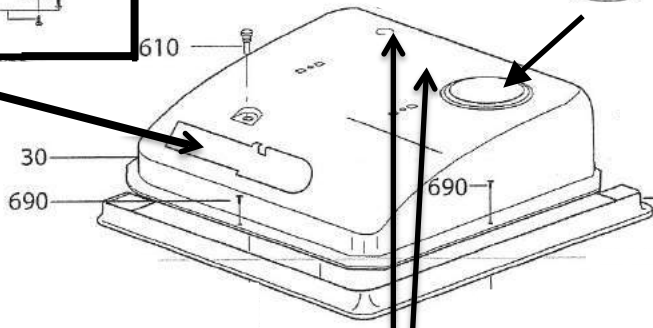
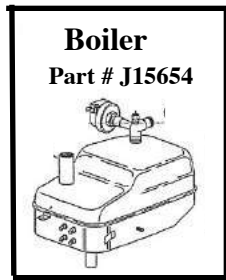


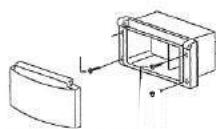
Power Switch Part # D1410
 Pressure Gauge Part # J7468



J0787 (Black Cap)
 J12912 (Seal)



D-0501 (Power Cord)



Part # D-0045 (Wheel)

Tile & Grout Cleaner
 US6100 / Eagle

D-0031
 D-0770
 D-0660 (Drain Cap)